



AVAILABLE COLOURS



LEDION ULTRA DRIVE 192

CC LED DMX DRIVER

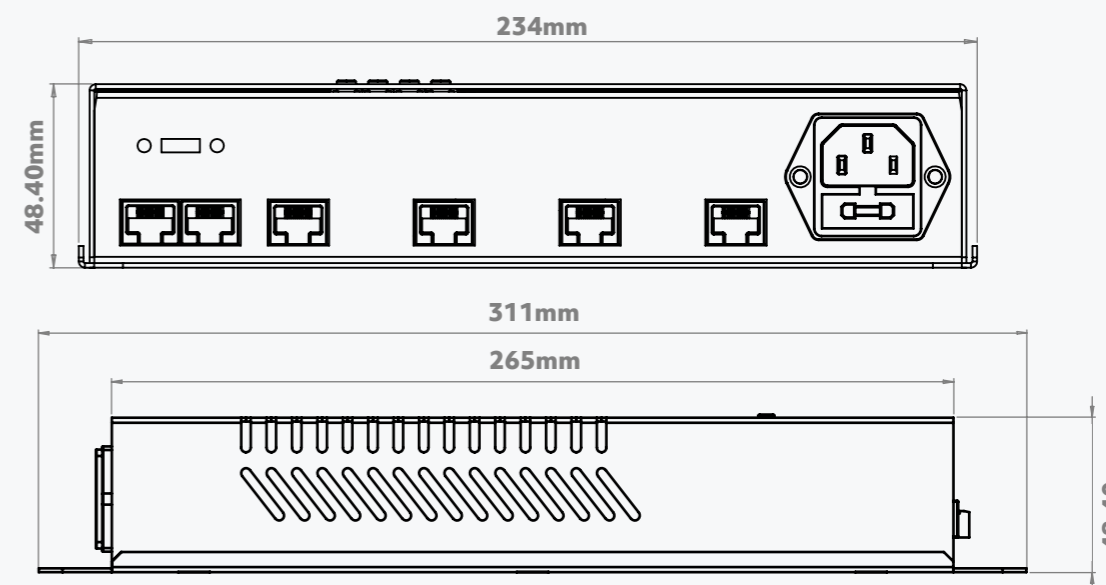
Utilising the proven technology of the ledion ultra 48, with over 15 years in the field to back it up, this DMX driver will safely power & control more of your 350mA LED from one driver unit.

Product Code: LUD192-D

TECHNICAL SPECIFICATIONS

- Output Current **350mA**
- LED Outputs **4**
- Max Voltage **48V**
- Power Consumption **240W**
- Channels **1-16Ch (RGB[W])**
- Power Input Mains **100-240VAC**
- Data & LED Connections **RJ45**
- Operating Temp Range **-20° to 50 °C**

DIMENSIONS



CONNECTIONS

